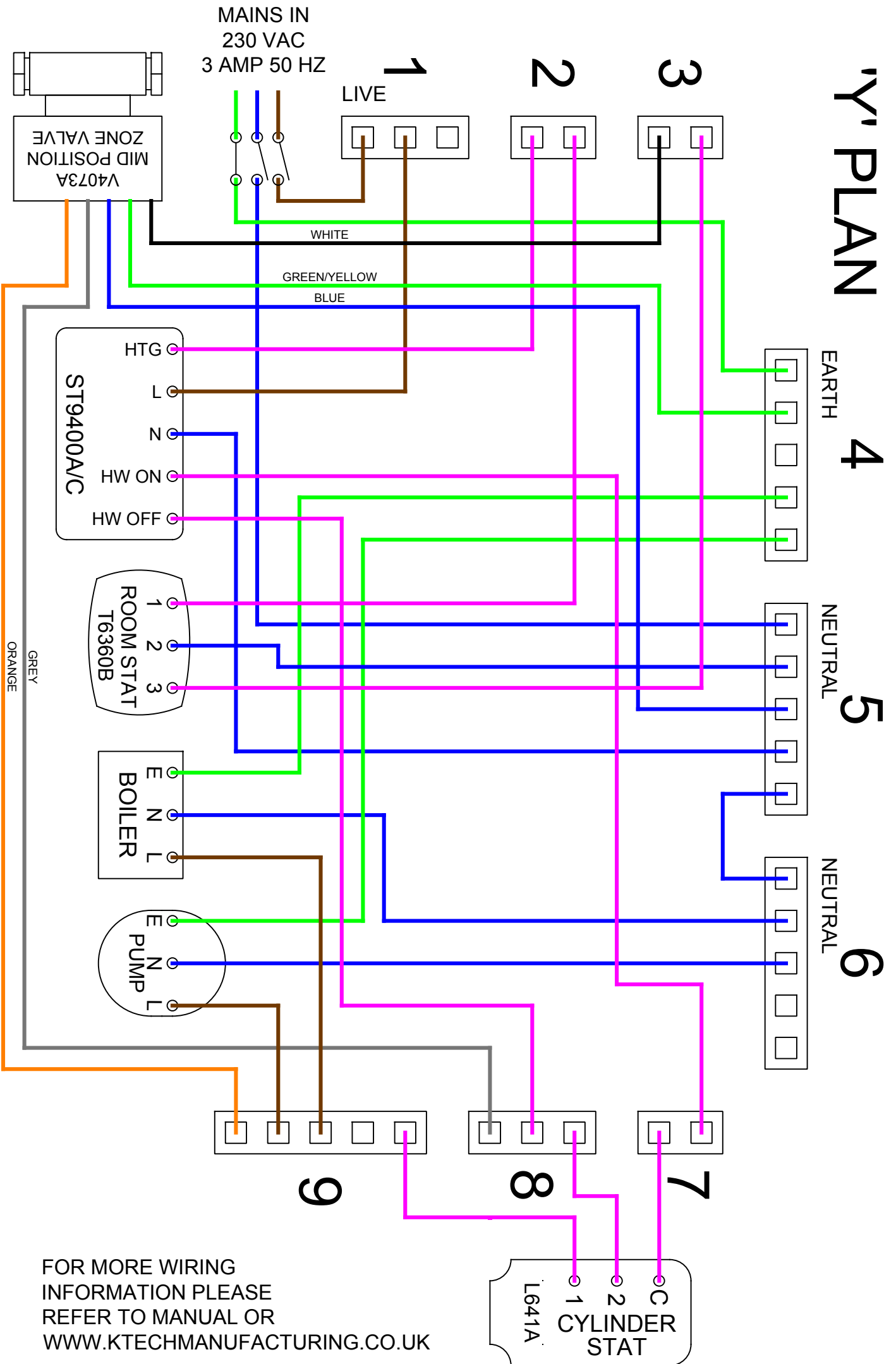


WIRING PLAN



FOR MORE WIRING
INFORMATION PLEASE
REFER TO MANUAL OR
WWW.KTECHMANUFACTURING.CO.UK